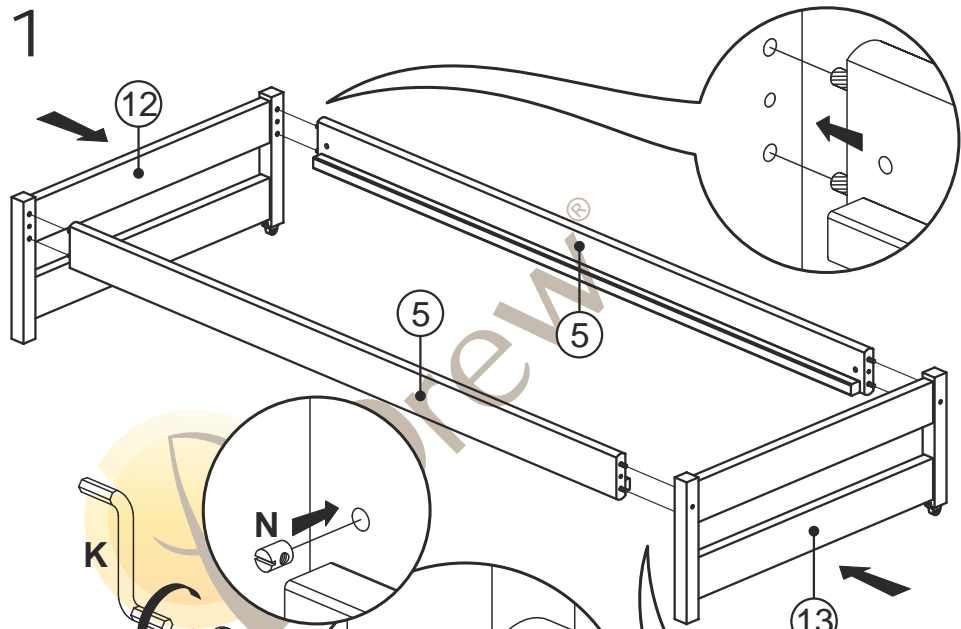


11

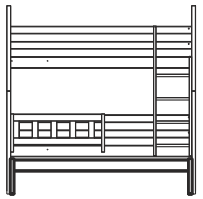


K

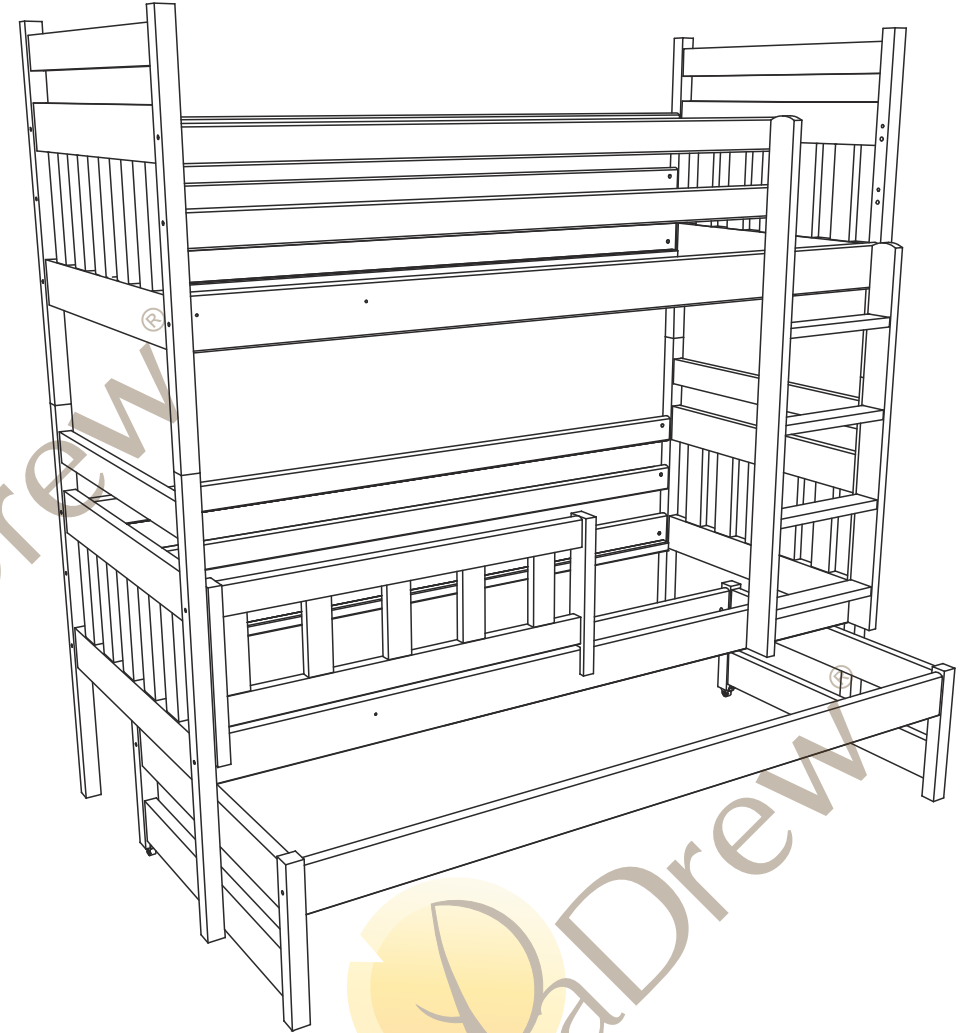
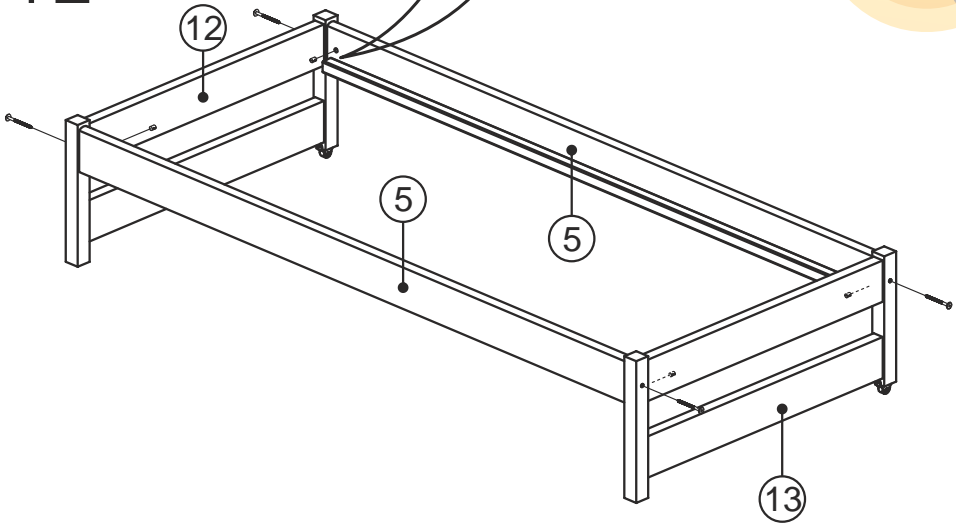
S1

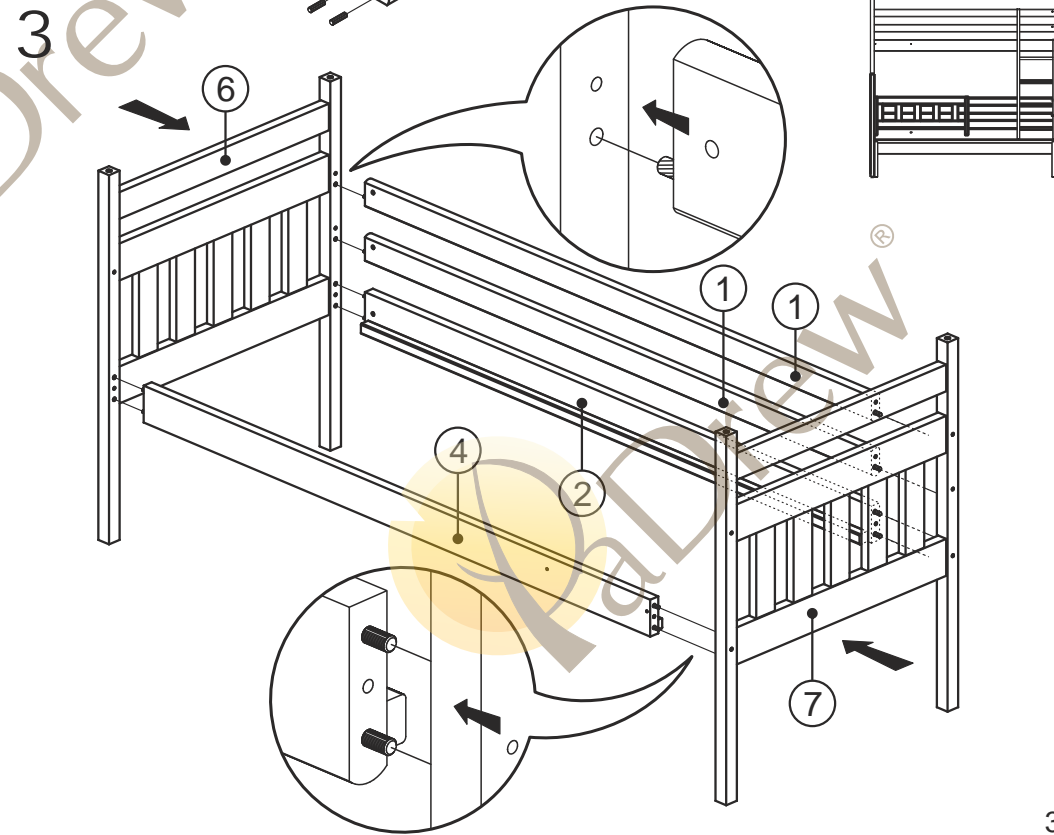
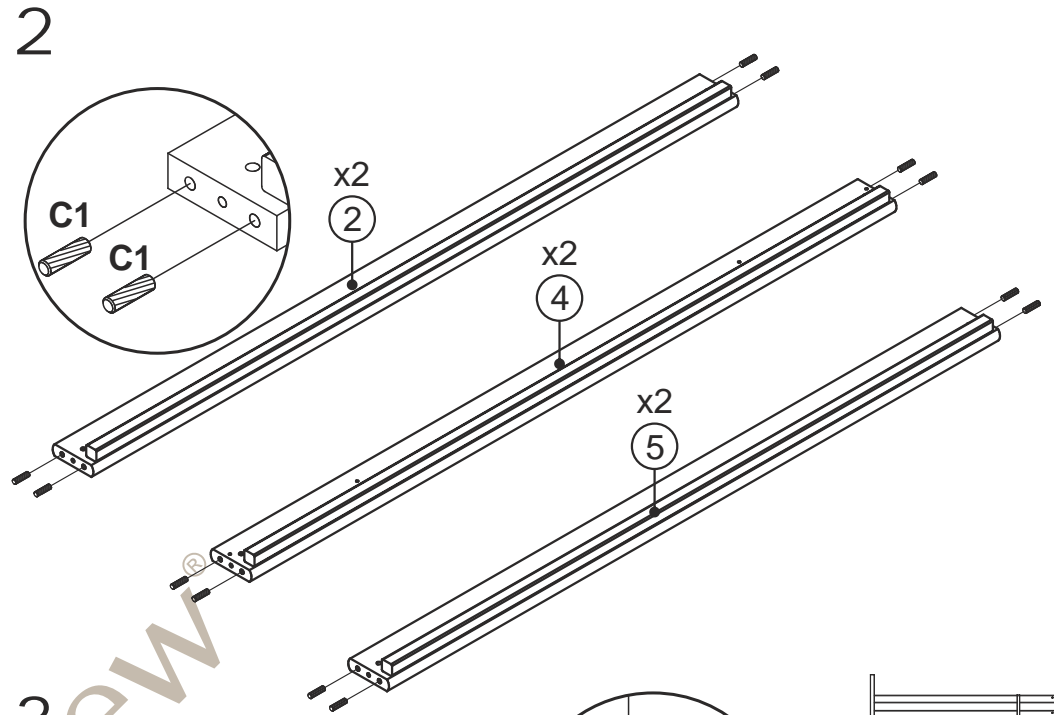
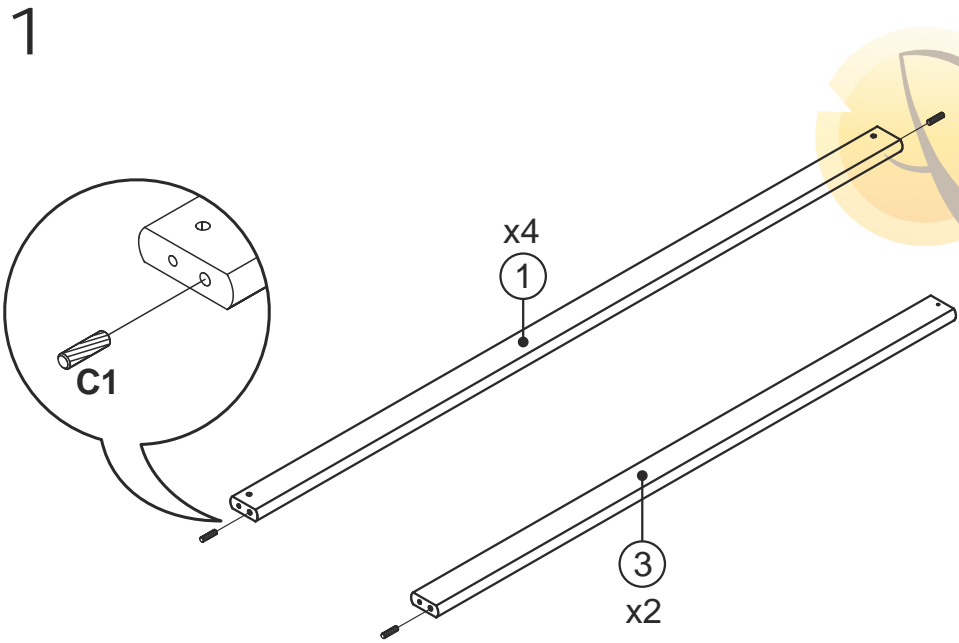
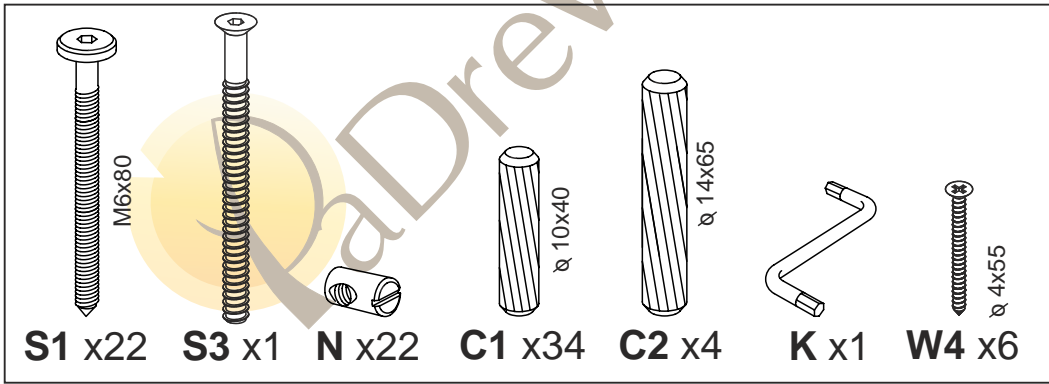
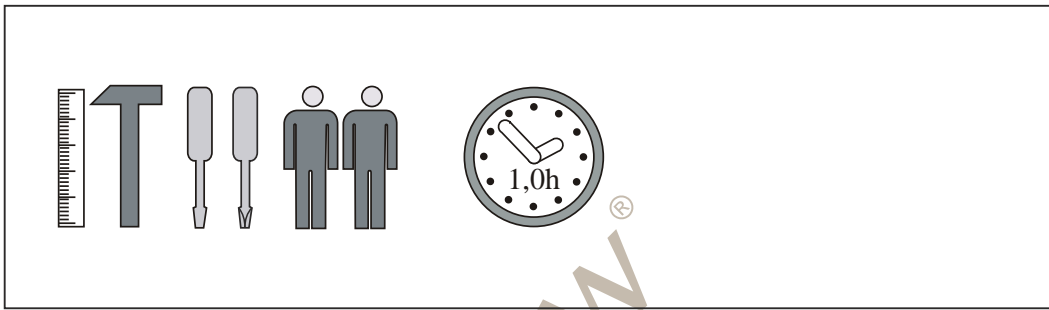
x4

N

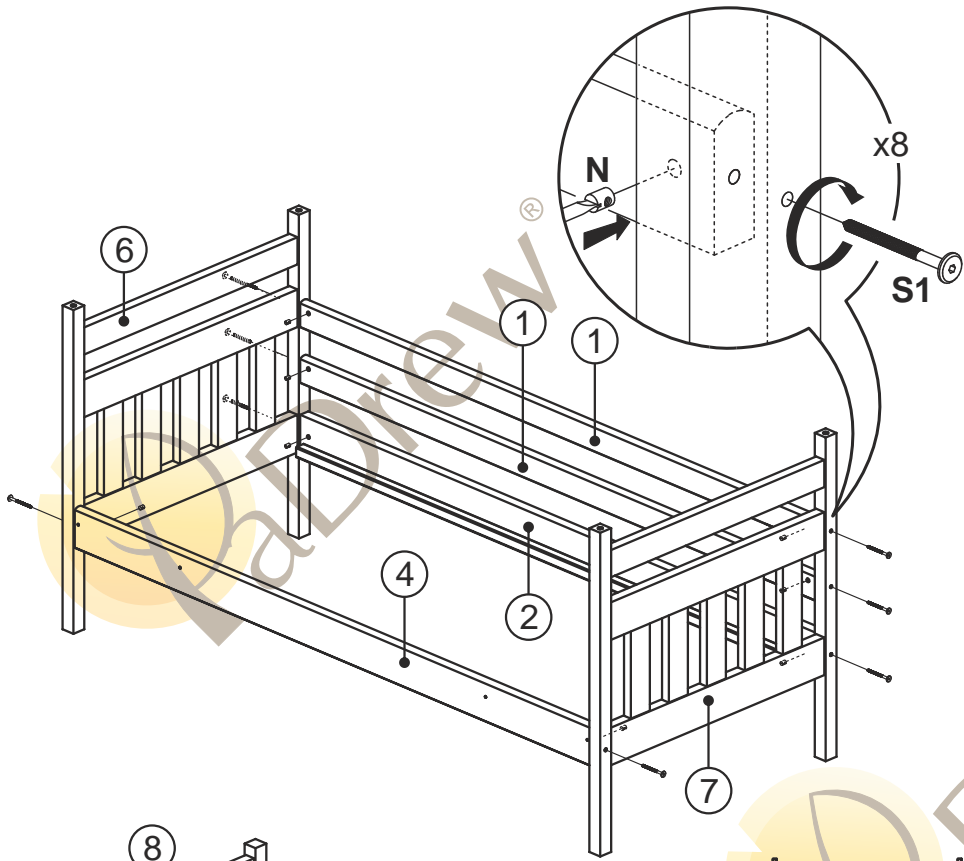


12

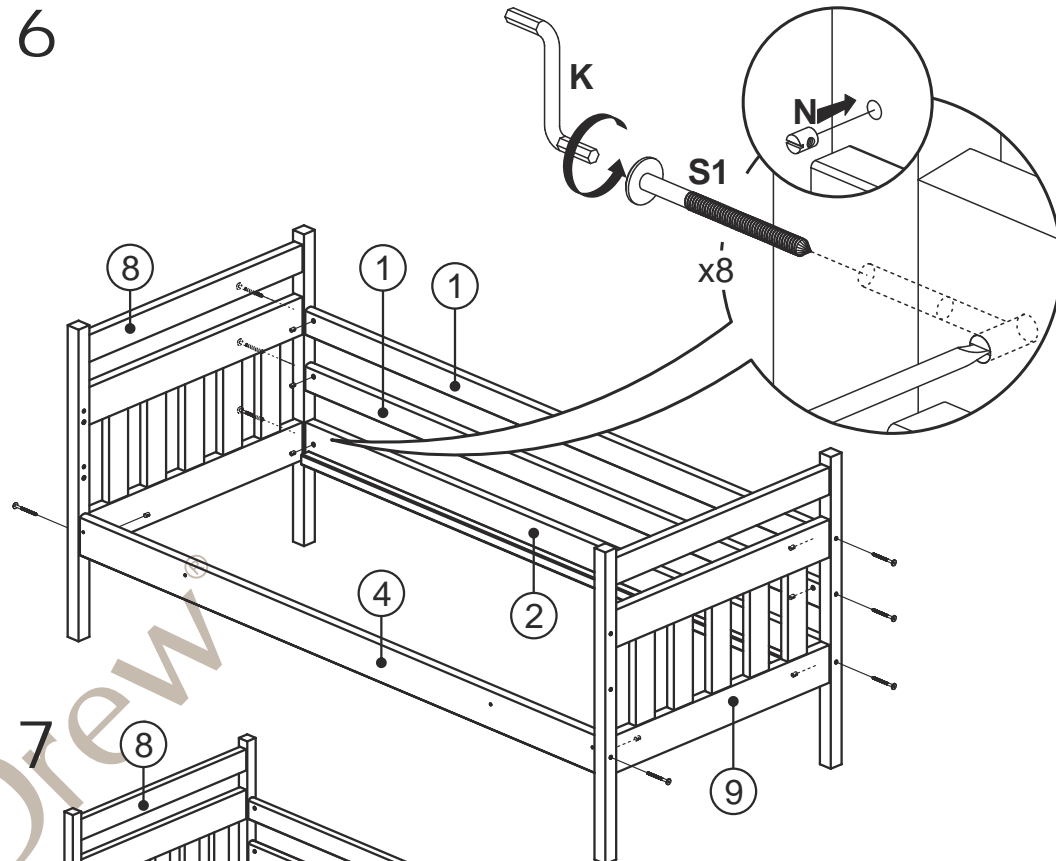




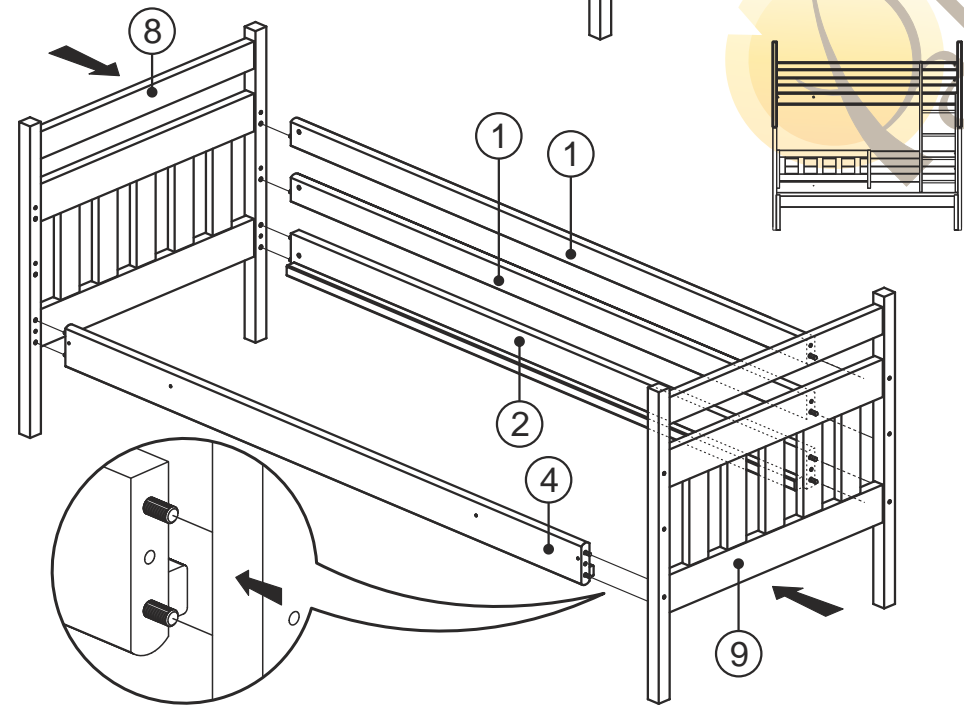
4



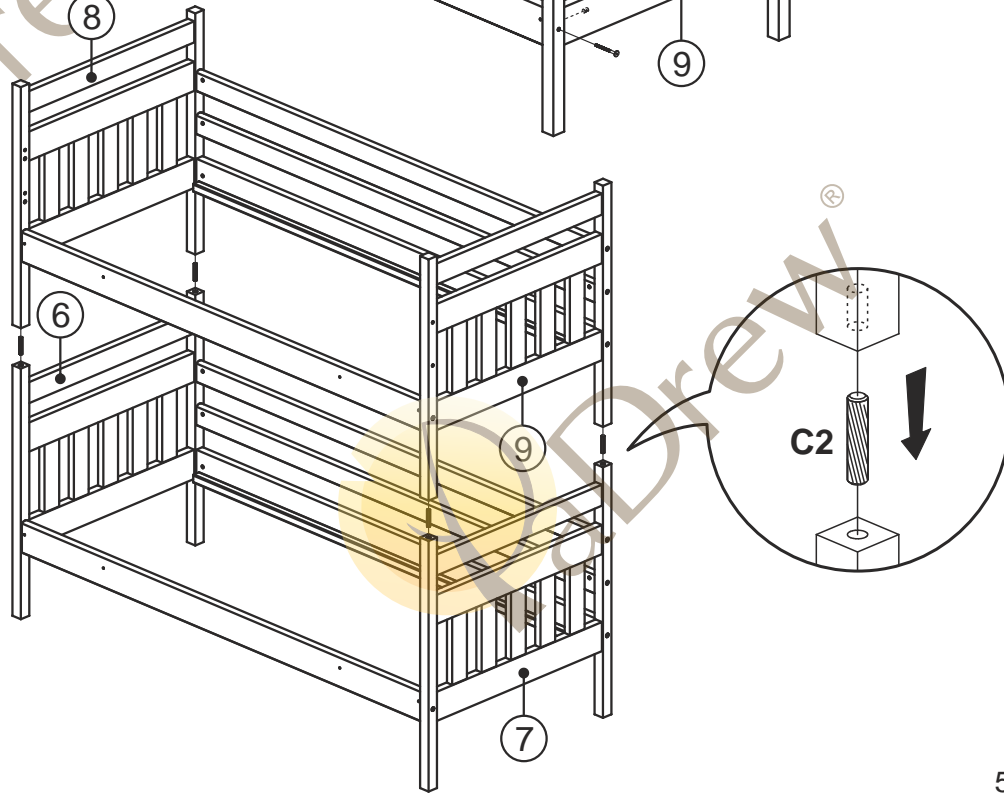
6



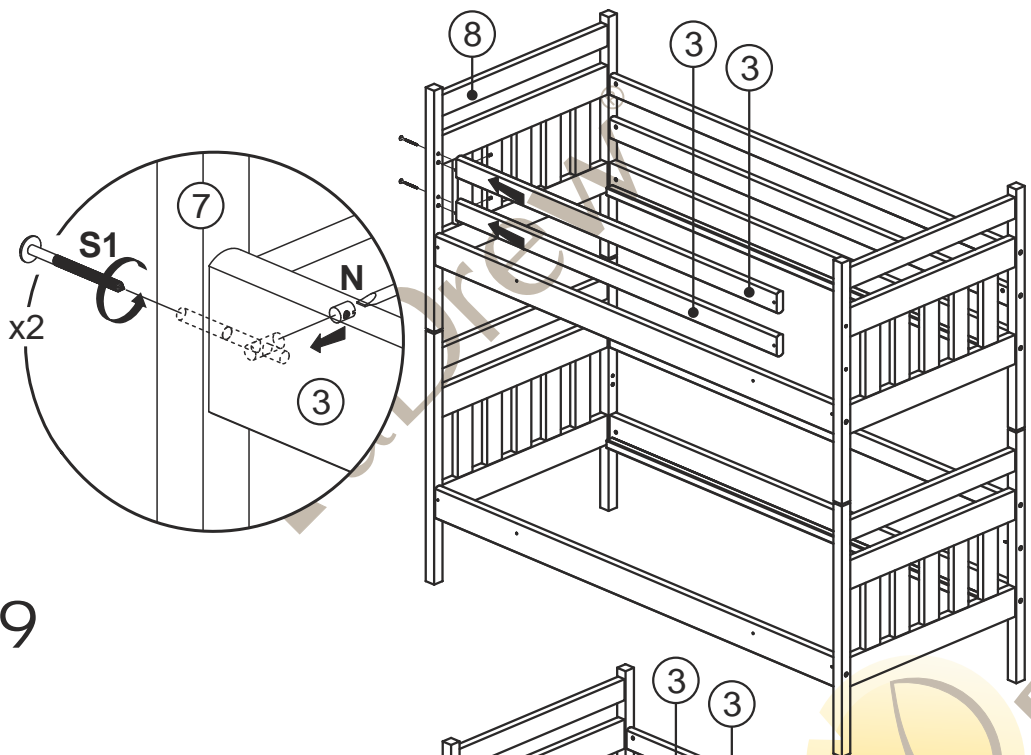
5



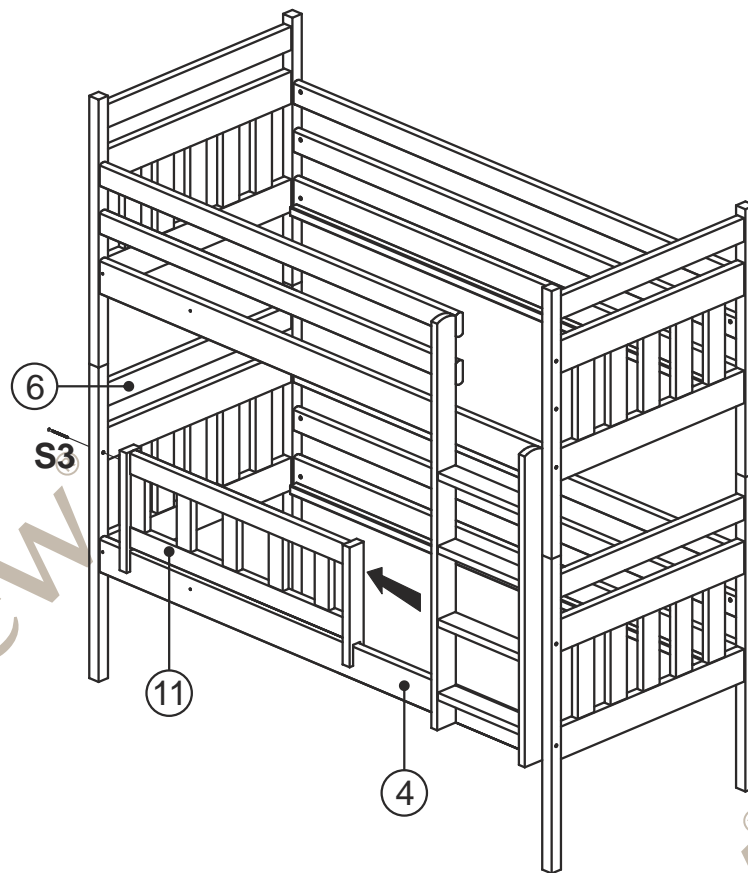
7



8



10



9

