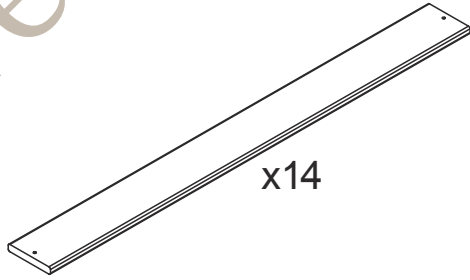


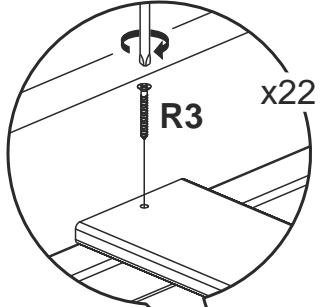
R3 x28

3,4x35

x14



1



x22

R3

